

## Poster Session

Posters are displayed at the Conference Hall B (Conference Room B 5 • 6) of the Okinawa Convention Center.

\*Each poster will be displayed on a board of 210cm (high) by 87cm (wide).

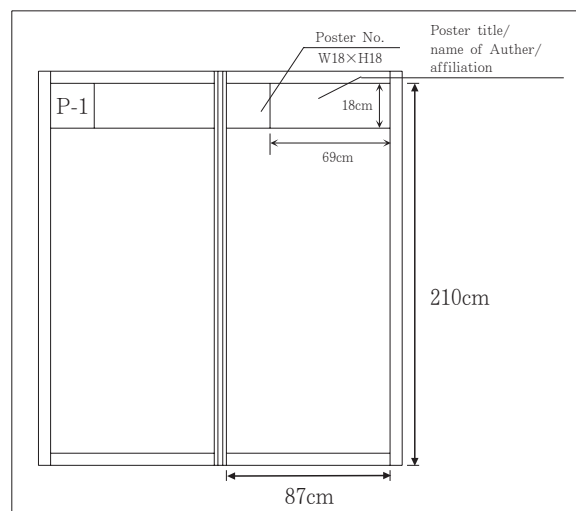
\*The Congress Secretariat will place the poster number on each board in advance.

\*All posters should be displayed between **10:00 to 12:00 on Friday, January 29.**

\*All posters should be taken off from the boards between **10:00 to 11:00 on Saturday, January 30.**

Please note that the Congress Secretariat will not assume responsibility for possible loss of any posters left on the board after 11:00 am. on January 30, 2010.

\*Posters should be displayed on the board using Magnets. No tape or glue is allowed to use. Magnets will be provided nearby the poster boards.



## Poster Presentation

Poster Session : January 29 (Fri.), 17:00-18:00

\*PRESENTATION : 7 min. \*DISCUSSION : 3 min.

\*Poster Session 1 and 2, 3 and 4 are proceeded simultaneously.

## Secretary General

Takafumi Toita, M.D.

Department of Radiology, Faculty of Medicine, University of the Ryukyus

207 Uehara, Nishihara-Cho, Okinawa 903-0215 JAPAN

TEL: +81-(0)98-895-1162 FAX: +81-(0)98-895-1420

E-mail: [yukitomo@eve.u-ryukyu.ac.jp](mailto:yukitomo@eve.u-ryukyu.ac.jp)